

P90-3S



Image for illustration purposes only.

Output Ratings

Generator Set Model	Prime	Standby
230V, 50 Hz	82.0 kVA / 82.0 kW	90.0 kVA / 90.0 kW
240V, 60 Hz	90.0 kVA / 90.0 kW	99.5 kVA / 99.5 kW

Ratings at 1.0 power factor.

Prime Rating

These ratings are applicable for supplying continuous electrical power (at variable load) in lieu of commercially purchased power. There is no limitation to the annual hours of operation and this model can supply 10% overload power for 1 hour in 12 hours.

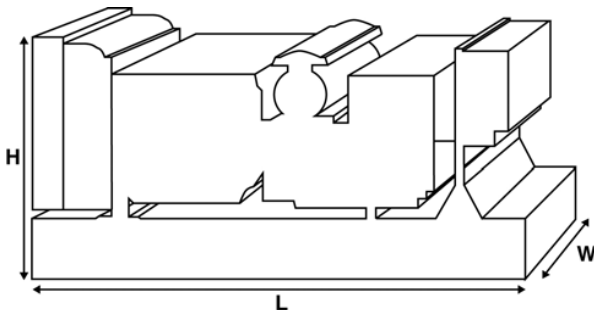
Standby Rating

These ratings are applicable for supplying continuous electrical power (at variable load) in the event of a utility power failure. No overload is permitted on these ratings. The alternator on this model is peak continuous rated (as defined in ISO 8528-3).

Standard Reference Conditions

Note: Standard reference conditions 25°C (77°F) Air Inlet Temp, 100m (328 ft) A.S.L. 30% relative humidity.

Fuel consumption data at full load with diesel fuel with specific gravity of 0.85 and conforming to BS2869: 1998, Class A2.



Ratings and Performance Data

Engine Make & Model:	Perkins® 1104C-44TAG2	
Alternator manufactured for FG Wilson by:	Leroy Somer	
Alternator Model:	LLB3114H	
Control Panel:	DCP-10	
Base Frame:	Heavy Duty Fabricated Steel	
Circuit Breaker Type:	3 Pole MCCB	
Frequency:	50 Hz	60 Hz
Engine Speed: RPM	1500	1800
Fuel Tank Capacity: litres (US gal)	218 (57.6)	
Fuel Consumption: l/hr (US gal/hr)		
(100% Load)	- Prime	22.1 (5.8) 26.0 (6.9)
	- Standby	24.3 (6.4) 28.8 (7.6)

Available Options

FG Wilson offer a range of optional features to tailor our generator sets to meet your power needs. Options include:

- Upgrade to CE Certification
- A wide range of Sound Attenuated Enclosures
- A variety of generator set control and synchronising panels
- Additional alarms and shutdowns
- A selection of exhaust silencer noise levels

For further information on all of the standard and optional features accompanying this product please contact your local Dealer or visit: www.FGWilson.com

Dimensions and Weights

Length (L) mm (in)	Width (W) mm (in)	Height (H) mm (in)	Dry kg (lb)	Wet kg (lb)
1980 (78.0)	890 (35.0)	1374 (54.1)	1113 (2454)	1131 (2493)

Dry = With Lube Oil

Wet = With Lube Oil and Coolant

Ratings in accordance with ISO 8528, ISO 3046, IEC 60034, BS5000 and NEMA MG-1.22. Generator set pictured may include optional accessories.

Head Office

St Ivel Way, Warmley, Bristol BS30 8TY
T. 0370 850 0858 F. 0370 850 0851

www.powerelectrics.com
sales@powerelectrics.com



Engine Technical Data

No. of Cylinders / Alignment:	4 / In Line
Cycle:	4 Stroke
Bore / Stroke: mm (in)	105.0 (4.1)/127.0 (5.0)
Induction:	Turbocharged Air To Air Charge Cooled
Cooling Method:	Water
Governing Type:	Electronic
Governing Class:	ISO 8528 G2
Compression Ratio:	18.3:1
Displacement: l (cu. in)	4.4 (268.5)
Moment of Inertia: kg m ² (lb/in ²)	1.51 (5160)
Engine Electrical System:	
- Voltage / Ground	12/Negative
- Battery Charger Amps	65
Weight: kg (lb)	
- Dry	500 (1102)
- Wet	520 (1146)

Performance	50 Hz	60 Hz
Engine Speed: rpm	1500	1800
Gross Engine Power: kW (hp)		
- Prime	93.6 (126.0)	106.8 (143.0)
- Standby	103.0 (138.0)	117.5 (158.0)
BMEP: kPa (psi)		
- Prime	1702.0 (246.9)	1619.0 (234.8)
- Standby	1873.0 (271.7)	1781.0 (258.3)

Fuel System

Fuel Filter Type:	Replaceable Element
Recommended Fuel:	Class A2 Diesel or BSEN590
Fuel Consumption: l/hr (US gal/hr)	

	110%	100%	75%	50%
Prime	Load	Load	Load	Load
50 Hz	24.3 (6.4)	22.1 (5.8)	16.8 (4.4)	11.9 (3.1)
60 Hz	28.8 (7.6)	26.0 (6.9)	19.7 (5.2)	14.1 (3.7)
Standby		100%	75%	50%
		Load	Load	Load
50 Hz		24.3 (6.4)	18.3 (4.8)	12.8 (3.4)
60 Hz		28.8 (7.6)	21.6 (5.7)	15.3 (4.0)

(Based on diesel fuel with a specific gravity of 0.85 and conforming to BS2869, Class A2)

Air Systems	50 Hz	60 Hz
Air Filter Type:	Replaceable Element	
Combustion Air Flow: m ³ /min (cfm)		
- Prime	6.0 (212)	7.8 (274)
- Standby	6.3 (221)	7.8 (275)
Max. Combustion Air Intake Restriction: kPa (in H ₂ O)	8.0 (32.1)	8.0 (32.1)

Cooling System	50 Hz	60 Hz
Cooling System Capacity: l (US gal)	17.5 (4.6)	17.5 (4.6)
Water Pump Type: Centrifugal		
Heat Rejected to Water & Lube Oil:		
kW (Btu/min)	- Prime 46.1 (2622)	57.7 (3281)
	- Standby 50.7 (2883)	64.0 (3640)
Heat Radiation to Room: Heat radiated from engine and alternator		
kW (Btu/min)	- Prime 13.6 (773)	16.6 (944)
	- Standby 15.3 (870)	18.9 (1075)
Radiator Fan Load: kW (hp)	2.8 (3.8)	4.8 (6.4)
Radiator Cooling Airflow: m ³ /min (cfm)	187.8 (6632)	244.2 (8624)
External Restriction to Cooling Airflow: Pa (in H ₂ O)	125 (0.5)	125 (0.5)

Designed to operate in ambient conditions up to 50°C (122°F). Contact your local FG Wilson Dealer for power ratings at specific site conditions.

Lubrication System

Oil Filter Type:	Spin-On, Full Flow
Total Oil Capacity: l (US gal)	8.0 (2.1)
Oil Pan: l (US gal)	7.0 (1.8)
Oil Type:	API CC/SE
Oil Cooling Method:	Water

Exhaust System	50 Hz	60 Hz
Maximum Allowable Back Pressure: kPa (in Hg)	18.0 (5.3)	15.0 (4.4)
Exhaust Gas Flow: m ³ /min (cfm)		
- Prime	14.0 (494)	17.0 (600)
- Standby	15.0 (530)	18.0 (636)
Exhaust Gas Temperature: °C (°F)		
- Prime	463 (865)	469 (876)
- Standby	494 (921)	517 (963)



Head Office

St Ivel Way, Warmley, Bristol BS30 8TY
T. 0370 850 0858 F. 0370 850 0851



HIRE | SALES | SERVICE | PARTS | FABRICATION

www.powerelectronics.com
sales@powerelectronics.com



Alternator Physical Data	
Manufactured for FG Wilson by:	Leroy Somer
Model:	LLB3114H
No. of Bearings:	1
Insulation Class:	H
Winding Pitch Code:	2/3 - M
Wires:	4
Ingress Protection Rating:	IP23
Excitation System:	SHUNT
AVR Model:	R250

Alternator Operating Data	
Overspeed: rpm	2250
Voltage Regulation: (Steady state)	+/- 0.5%
Wave Form NEMA = TIF:	50
Wave Form IEC = THF:	2.0%
Total Harmonic content LL/LN:	2.5%
Radio Interference:	Suppression is in line with European Standard EN61000-6
Radiant Heat: kW (Btu/min)	
- 50 Hz	7.8 (444)
- 60 Hz	9.5 (540)

Alternator Performance Data:	50 Hz			60 Hz	
	240V	230V	220V	220V/110V	240V/120V
Data Item					
Motor Starting Capability* kVA	247	233	219	191	217
Short Circuit Capacity** %	300	300	300	300	300
Reactances: Per Unit					
Xd	1.850	2.014	2.202	2.900	2.437
X'd	0.169	0.184	0.202	0.265	0.223
X''d	0.102	0.111	0.121	0.159	0.134

Reactances shown are applicable to prime ratings.
 *Based on 30% voltage dip at 0.9 power factor and SHUNT excitation.
 **With optional permanent magnet generator.

Output Ratings Technical Data 50 Hz				
Voltage	Prime:		Standby:	
	kVA	kW	kVA	kW
240V	82.0	82.0	90.0	90.0
230V	82.0	82.0	90.0	90.0
220V	82.0	82.0	90.0	90.0

Output Ratings Technical Data 60 Hz				
Voltage	Prime:		Standby:	
	kVA	kW	kVA	kW
220V/110V	90.0	90.0	99.5	99.5
240V/120V	90.0	90.0	99.5	99.5



Head Office

St Ivel Way, Warmley, Bristol BS30 8TY
 T. 0370 850 0858 F. 0370 850 0851



HIRE | SALES | SERVICE | PARTS | FABRICATION

www.powerelectrics.com
 sales@powerelectrics.com



Documentation

A full set of operation and maintenance manuals and circuit wiring diagrams.

Generator Set Standards

The equipment meets the following standards: BS5000, ISO 8528, ISO 3046, IEC 60034, NEMA MG-1.22.

FG Wilson is a fully accredited ISO 9001 company.

EU stage II emissions compliant.



Head Office

St Ivel Way, Warmley, Bristol BS30 8TY
T. 0370 850 0858 F. 0370 850 0851

HIRE | SALES | SERVICE | PARTS | FABRICATION

www.powerelectrics.com
sales@powerelectrics.com



AUTHORISED DEALER



UKAS is a member of Registrar of Standards (Holdings) Ltd.

UKAS is a member of Registrar of Standards (Holdings) Ltd.

UKAS is a member of Registrar of Standards (Holdings) Ltd.