



P300-5L

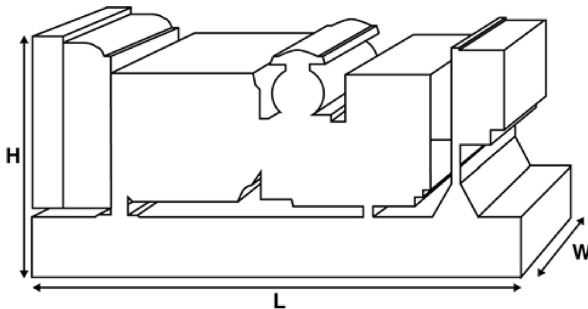
Optional LS Upgrade

Output Ratings

Voltage, Frequency		Prime	Standby
400V, 50 Hz	kVA	275	300
	kW	220	240
480V, 60 Hz	kVA		
	kW		

Ratings at 0.8 power factor.

Please refer to the output ratings technical data section for specific generator set outputs per voltage.



Dimensions and Weights

Length	mm	2662 (104.8)
Width	mm	1071 (42.2)
Height	mm	1818 (71.6)
Weight (Dry)	kg	2107 (4645)
Weight (Wet)	kg	2140 (4718)

Ratings in accordance with ISO 8528, ISO 3046, IEC 60034, BS5000 and NEMA MG-1.22.

Generator set pictured may include optional accessories.

Prime Rating

These ratings are applicable for supplying continuous electrical power (at variable load) in lieu of commercially purchased power. There is no limitation to the annual hours of operation and this model can supply 10% overload power for 1 hour in 12 hours.

Standby Rating

These ratings are applicable for supplying continuous electrical power (at variable load) in the event of a utility power failure. No overload is permitted on these ratings. The alternator on this model is peak continuous rated (as defined in ISO 8528-3).

Standard Reference Conditions

Note: Standard reference conditions 25°C (77°F) Air Inlet Temp, 100m (328 ft) A.S.L. 30% relative humidity.

Fuel consumption data at full load with diesel fuel with specific gravity of 0.85 and conforming to BS2869: 1998, Class A2.

FG Wilson offer a range of optional features to allow you to tailor our generator sets to meet your power needs.

Options available include:

- Upgrade to CE Certification

Guernsey

Garenne Park, Rue de la Cache,
 St Sampsons, Guernsey, GY2 4AE
 T. 01481 252111

Jersey

CTV House, La Pouquelaye,
 St Helier, Jersey, JE2 3TP
 T. 01534 877688

amalgamatedfm.com
 enquiries@amalgamatedfm.com

Ratings and Performance Data

Engine Make	Perkins		
Engine Model:	1506A-E88TAG4		
Alternator Make	Leroy Somer		
Alternator Model:	LL5114J		
Control Panel:	Power Wizard 1.1+		
Base Frame:	Heavy Duty Fabricated Steel		
Circuit Breaker Type:	3 Pole MCCB		
Frequency:	50 HZ	60 HZ	
Engine Speed: RPM	rpm	1500	
Fuel Tank Capacity:	litres (US gal)	528 (139.48)	
Fuel Consumption Prime	litres (US gal)	58.3 (15.4)	
Fuel Consumption Standby	litres (US gal)	63.5 (16.8)	

Engine Technical Data

No. of Cylinders	6		
Alignment	IN LINE		
Cycle	4 STROKE		
Bore	mm (in)	112 (4.4)	
Stroke	mm (in)	149 (5.9)	
Induction	TURBOCHARGED AIR TO AIR CHARGE COOLED		
Cooling Method	WATER		
Governing Type	ELECTRONIC		
Governing Class	ISO 8528 G2		
Compression Ratio	16.1:1		
Displacement	L (cu. in)	8.8 (537)	
Moment of Inertia:	kg m ² (lb/in ²)	2.4031 (8212)	
Voltage	24		
Ground	Negative		
Battery Charger Amps	45		
Engine Weight Dry	kg (lb)	778 (1715)	
Engine Weight Wet	kg (lb)	800 (1764)	

Engine Performance Data

		50 Hz	60 Hz
Engine Speed	rpm	1500	
Gross Engine Power Prime	kW (hp)	258 (346)	
Gross Engine Power Standby	kW (hp)	281 (377)	
BMEP Prime	kPa (psi)	2344 (339.9)	
BMEP Standby	kPa (psi)	2552 (370.2)	

Guernsey

Garenne Park, Rue de la Cache,
St Sampsons, Guernsey, GY2 4AE
T. 01481 252111

Jersey

CTV House, La Pouquelaye,
St Helier, Jersey, JE2 3TP
T. 01534 877688

amalgamatedfm.com
enquiries@amalgamatedfm.com

Fuel System

Fuel Filter Type:	Replaceable Element				
Recommended Fuel:	Class A2 Diesel				
Fuel Consumption at		110 % Load	100 % Load	75 % Load	50 % Load
50 Hz Prime:	l/hr (US gal/hr)	63.5 (16.8)	58.3 (15.4)	44.6 (11.8)	32 (8.5)
50 Hz Standby	l/hr (US gal/hr)	-	63.5 (16.8)	48.2 (12.7)	34.2 (9)
60 Hz Prime	l/hr (US gal/hr)				
60 Hz Standby	l/hr (US gal/hr)	-			

(Based on diesel fuel with a specific gravity of 0.85 and conforming to BS2869, class A2)

Air System

		50 Hz	60 Hz
Air Filter Type:	Paper Element		
Combustion Air Flow Prime	m ³ /min (cfm)	15.1 (533)	
Combustion Air Flow Standby	m ³ /min (cfm)	16.4 (579)	
Max. Combustion Air Intake Restriction	kPa	6.2 (24.9)	

Cooling System

		50 Hz	60 Hz
Cooling System Capacity	l (US gal)	33.1626 (8.8)	
Water Pump Type:	Centrifugal		
Heat Rejected to Water & Lube Oil: Prime	kW (Btu/min)	112 (6369)	
Heat Rejected to Water & Lube Oil: Standby	kW (Btu/min)	114 (6483)	
Heat Radiation to Room*: Prime	kW (Btu/min)	32 (1820)	
Heat Radiation to Room*: Standby	kW (Btu/min)	33.5 (1905)	
Radiator Fan Load:	kW (hp)	7.7 (10.3)	
Radiator Cooling Airflow:	m ³ /min (cfm)	329.1 (11624)	
External Restriction to Cooling Airflow:	Pa (in H ₂ O)	125 (0.5)	

*: Heat radiated from engine and alternator

Designed to operate in ambient conditions up to 50°C (122°F).

Contact your local FG Wilson Dealer for power ratings at specific site conditions.

Lubrication System

Oil Filter Type:	Spin-on, Full flow	
Total Oil Capacity:	l (US gal)	39 (10.3)
Oil Pan Capacity:	l (US gal)	36 (9.5)
Oil Type:	API CI-4 0W-30	
Oil Cooling Method:	WATER	

Exhaust System

		50 Hz	60 Hz
Maximum Allowable Back Pressure:	kPa (in Hg)	10 (3)	
Exhaust Gas Flow: Prime	m ³ /min (cfm)	41.5 (1466)	
Exhaust Gas Flow: Standby	m ³ /min (cfm)	46.3 (1635)	
Exhaust Gas Temperature: Prime	°C (°F)	574 (1065)	
Exhaust Gas Temperature: Standby	°C (°F)	576 (1069)	

Guernsey

Garenne Park, Rue de la Cache,
St Sampsons, Guernsey, GY2 4AE
T. 01481 252111

Jersey

CTV House, La Pouquelaye,
St Helier, Jersey, JE2 3TP
T. 01534 877688

amalgamatedfm.com
enquiries@amalgamatedfm.com

Alternator Physical Data

No. of Bearings:	1
Insulation Class:	H
Winding Pitch:	2/3
Winding Code	6
Wires:	12
Ingress Protection Rating:	IP23
Excitation System:	SHUNT
AVR Model:	R250

Alternator Operating Data

Overspeed: rpm	2250
Voltage Regulation: (Steady state)	+/- 0.5
Wave Form NEMA = TIF:	50
Wave Form IEC = THF:	2
Total Harmonic content LL/LN:	2
Radio Interference:	EN61000-6
Radiant Heat: 50 Hz	kW (Btu/min) 18.5 (1052)
Radiant Heat: 60 Hz	kW (Btu/min)

Alternator Performance Data 50 Hz:

		415/240 V	400/230 V	380/220 V	
Voltage Code			230/115 V		
			230 V		
Motor Starting Capability*	kVA	672	636	588	
Short Circuit Capacity	%	300	300	300	300
Reactances	Xd	3.289	3.541	3.923	
	X'd	0.255	0.275	0.305	
	X''d	0.138	0.138	0.152	

Alternator Performance Data 60 Hz

Voltage Code						
Motor Starting Capability*	kVA					
Short Circuit Capacity	%	300	300	300	300	300
Reactances	Xd					
	X'd					
	X''d					

Reactances shown are applicable to prime ratings.

*Based on 30% voltage dip at 0.6 power factor.

Guernsey

Garenne Park, Rue de la Cache,
St Sampsons, Guernsey, GY2 4AE
T. 01481 252111

Jersey

CTV House, La Pouquelaye,
St Helier, Jersey, JE2 3TP
T. 01534 877688

amalgamatedfm.com
enquiries@amalgamatedfm.com

Output Ratings 50 Hz

Voltage Code	kVA	Prime		Standby	
		kW	kVA	kW	kVA
415/240V	275	220	300	240	
400/230V	275	220	300	240	
380/220V	275	220	300	240	
230/115V	275	220	300	240	
220/127V					
220/110V					
200/115V					
240V					
230V					
220V					

Output Ratings 60 Hz

Voltage Code	kVA	Prime		Standby	
		kW	kVA	kW	kVA
480/277V					
440/254V					
416/240V					
400/230V					
380/220V					
240/139V					
240/120V					
230/115V					
220/127V					
220/110V					
208/120V					
240/120					
220/110					

Guernsey

Garenne Park, Rue de la Cache,
St Sampsons, Guernsey, GY2 4AE
T. 01481 252111

Jersey

CTV House, La Pouquelaye,
St Helier, Jersey, JE2 3TP
T. 01534 877688

amalgamatedfm.com
enquiries@amalgamatedfm.com



P300-5L

Optional LS Upgrade

Dealer Contact Details

Documentation

Operation and maintenance manual including circuit wiring diagrams.

Generator Set Standards

The equipment meets the following standards: BS5000, ISO 8528, ISO 3046, IEC 60034, NEMA MG-1.22.

Warranty

6.8 – 750 kVA electric power generation products in prime applications the warranty period is 12 months from date of start-up, unlimited hours (8760). For standby applications the warranty period is 24 months from date of start-up, limited to 500 hours per year.

730 – 2500 kVA electric power generation products in prime applications the warranty period is 12 months from date of start-up, unlimited hours (8760 hours) or 24 months from date of start-up, limited to 6000 hours. For standby applications the warranty period is 36 months from date of start-up, limited to 500 hours per year.

Guernsey
Garenne Park, Rue de la Cache,
St Sampsons, Guernsey, GY2 4AE
T. 01481 252111

Jersey
CTV House, La Pouquelaye,
St Helier, Jersey, JE2 3TP
T. 01534 877688

amalgamatedfm.com
enquiries@amalgamatedfm.com