

# Modular Acoustic Enclosures

350– 750 kVA Range



[www.FGWilson.com](http://www.FGWilson.com)



The innovative and functional design of the 350 – 750 kVA enclosure range ensures performance in the harshest of environments. Extremely durable and robust, the enclosures are designed to resist corrosion and handling damage with the ability to withstand rough handling common on many construction sites.

Developed through continuing research and development by our specialist engineers, all FG Wilson enclosures are weather resistant and incorporate internally mounted exhaust silencers. Designed on modular principles, they have interchangeable components permitting on site repair.

The Level 2 enclosures reduce sound levels to comply with stage II levels of the European Community Directive 2000/14/EC which became effective 3 January 2006.

The FG Wilson Level 1 High Ambient enclosures, also available across the entire 350 – 750 kVA range are designed for operation in high ambient environments up to 50°C, with no loss of cooling system performance.

**Guernsey**

Garenne Park, Rue de la Cache,  
St Sampsons, Guernsey, GY2 4AE  
T. 01481 252111

**Jersey**

CTV House, La Pouquelaye,  
St Helier, Jersey, JE2 3TP  
T. 01534 877688

[amalgatedfm.com](http://amalgatedfm.com)  
[enquiries@amalgatedfm.com](mailto:enquiries@amalgatedfm.com)

## Excellent Access for Maintenance

- » Large side hinged doors on both sides of enclosure providing optimal access
- » Retaining bars securing door positions during servicing
- » Removable ducts providing maintenance access with enclosure in place
- » Radiator fill via removable, flush mounted rain cap fitted with compression seal
- » Lube oil and coolant drain valves

## Robust/Highly Corrosion Resistant Construction

- » Galvanised steel construction further protected by polyester powder coat paint
- » Base frame extends beyond enclosure protecting against handling damage
- » Reinforced lap roof joints protecting against water ingress
- » Black finish stainless steel locks and hinges
- » Zinc plated / stainless steel fasteners
- » Corner posts manufactured from high grade composite material



## Transportability

- » Optional tested and certified lifting arch (excluding 2806)
- » Lifting, drag and jacking points on base frame

## Security and Safety

- » Control panel viewing window in a lockable access door
- » Emergency stop push button (red) mounted on enclosure exterior
- » Cooling fan and battery charging alternator fully guarded
- » Fuel fill and battery can only be reached via lockable access doors
- » Exhaust silencing system totally enclosed for operator safety

### Guernsey

Garenne Park, Rue de la Cache,  
St Sampsons, Guernsey, GY2 4AE  
T. 01481 252111

### Jersey

CTV House, La Pouquelaye,  
St Helier, Jersey, JE2 3TP  
T. 01534 877688

[amalgamatedfm.com](http://amalgamatedfm.com)

[enquiries@amalgamatedfm.com](mailto:enquiries@amalgamatedfm.com)

## Sound Pressure Levels (dBA) - Level 1 High Ambient

| Generator Set Model |         | 50 Hz        |           |             |           |            |           | 60 Hz        |           |             |           |            |           |    |
|---------------------|---------|--------------|-----------|-------------|-----------|------------|-----------|--------------|-----------|-------------|-----------|------------|-----------|----|
|                     |         | 15 m (50 ft) |           | 7 m (23 ft) |           | 1 m (3 ft) |           | 15 m (50 ft) |           | 7 m (23 ft) |           | 1 m (3 ft) |           |    |
|                     |         | 75% Load     | 100% Load | 75% Load    | 100% Load | 75% Load   | 100% Load | 75% Load     | 100% Load | 75% Load    | 100% Load | 75% Load   | 100% Load |    |
| P400-3              | Prime   | -            | 67        | 68          | 73        | 74         | 81        | 83           | -         | -           | -         | -          | -         | -  |
|                     | Standby | -            | 67        | 70          | 73        | 76         | 82        | 84           | -         | -           | -         | -          | -         | -  |
| P438-3              | Prime   | -            | -         | -           | -         | -          | -         | -            | 69        | 70          | 75        | 76         | 83        | 84 |
|                     | Standby | -            | -         | -           | -         | -          | -         | -            | 69        | 70          | 75        | 76         | 83        | 85 |
| P450-3              | Prime   | -            | 67        | 70          | 73        | 76         | 82        | 84           | -         | -           | -         | -          | -         | -  |
|                     | Standby | -            | 68        | 71          | 74        | 77         | 83        | 85           | -         | -           | -         | -          | -         | -  |
| P500-3              | Prime   | 106          | 67        | 70          | 73        | 76         | 82        | 84           | -         | -           | -         | -          | -         | -  |
|                     | Standby | 106          | 68        | 71          | 74        | 77         | 83        | 85           | -         | -           | -         | -          | -         | -  |
| P501-3              | Prime   | -            | -         | -           | -         | -          | -         | -            | 69        | 70          | 75        | 76         | 83        | 85 |
|                     | Standby | -            | -         | -           | -         | -          | -         | -            | 69        | 71          | 75        | 77         | 84        | 86 |
| P550-3              | Prime   | 106          | 71        | 72          | 77        | 78         | 86        | 86           | -         | -           | -         | -          | -         | -  |
|                     | Standby | 106          | 71        | 72          | 77        | 78         | 86        | 86           | -         | -           | -         | -          | -         | -  |
| P563-3              | Prime   | -            | -         | -           | -         | -          | -         | -            | 73        | 74          | 79        | 80         | 87        | 88 |
|                     | Standby | -            | -         | -           | -         | -          | -         | -            | 73        | 74          | 79        | 80         | 87        | 88 |
| P605-3              | Prime   | -            | 70        | 71          | 76        | 77         | 84        | 85           | -         | -           | -         | -          | -         | -  |
|                     | Standby | -            | 70        | 72          | 76        | 78         | 84        | 85           | -         | -           | -         | -          | -         | -  |
| P625-3              | Prime   | -            | -         | -           | -         | -          | -         | -            | 73        | 74          | 79        | 80         | 87        | 88 |
|                     | Standby | -            | -         | -           | -         | -          | -         | -            | 73        | 74          | 79        | 80         | 87        | 88 |
| P660-3              | Prime   | -            | 70        | 72          | 76        | 78         | 84        | 85           | -         | -           | -         | -          | -         | -  |
|                     | Standby | -            | 71        | 72          | 77        | 78         | 85        | 86           | -         | -           | -         | -          | -         | -  |
| P688-3              | Prime   | -            | -         | -           | -         | -          | -         | -            | 72        | 72          | 78        | 78         | 87        | 88 |
|                     | Standby | -            | -         | -           | -         | -          | -         | -            | 72        | 73          | 78        | 79         | 88        | 88 |
| P715-3              | Prime   | -            | 71        | 72          | 77        | 78         | 85        | 86           | -         | -           | -         | -          | -         | -  |
|                     | Standby | -            | 71        | 73          | 77        | 79         | 85        | 86           | -         | -           | -         | -          | -         | -  |
| P750-3              | Prime   | -            | -         | -           | -         | -          | -         | -            | 72        | 73          | 78        | 79         | 88        | 88 |
|                     | Standby | -            | -         | -           | -         | -          | -         | -            | 72        | 73          | 78        | 79         | 88        | 88 |

### Guernsey

Garenne Park, Rue de la Cache,  
St Sampsons, Guernsey, GY2 4AE  
T. 01481 252111

### Jersey

CTV House, La Pouquelaye,  
St Helier, Jersey, JE2 3TP  
T. 01534 877688

amalgatedfm.com  
enquiries@amalgatedfm.com

## Sound Pressure Levels (dBA) - Level 2

| Generator Set Model |         | 50 Hz        |           |             |           |            |           | 60 Hz        |           |             |           |            |           |    |
|---------------------|---------|--------------|-----------|-------------|-----------|------------|-----------|--------------|-----------|-------------|-----------|------------|-----------|----|
|                     |         | 15 m (50 ft) |           | 7 m (23 ft) |           | 1 m (3 ft) |           | 15 m (50 ft) |           | 7 m (23 ft) |           | 1 m (3 ft) |           |    |
|                     |         | 75% Load     | 100% Load | 75% Load    | 100% Load | 75% Load   | 100% Load | 75% Load     | 100% Load | 75% Load    | 100% Load | 75% Load   | 100% Load |    |
| P400-3              | Prime   | -            | 63        | 64          | 69        | 70         | 79        | 80           | -         | -           | -         | -          | -         | -  |
|                     | Standby | -            | 64        | 64          | 70        | 70         | 80        | 80           | -         | -           | -         | -          | -         | -  |
| P438-3              | Prime   | -            | -         | -           | -         | -          | -         | -            | 66        | 66          | 72        | 72         | 82        | 82 |
|                     | Standby | -            | -         | -           | -         | -          | -         | -            | 66        | 66          | 72        | 72         | 82        | 83 |
| P450-2              | Prime   | 97           | 64        | 64          | 70        | 70         | 80        | 80           | -         | -           | -         | -          | -         | -  |
|                     | Standby | 97           | 64        | 65          | 70        | 71         | 80        | 80           | -         | -           | -         | -          | -         | -  |
| P450-3              | Prime   | 98           | 64        | 64          | 70        | 70         | 80        | 80           | -         | -           | -         | -          | -         | -  |
|                     | Standby | 98           | 64        | 65          | 70        | 71         | 80        | 81           | -         | -           | -         | -          | -         | -  |
| P500-3              | Prime   | 98           | 63        | 64          | 69        | 70         | 79        | 79           | -         | -           | -         | -          | -         | -  |
|                     | Standby | 98           | 63        | 64          | 69        | 70         | 79        | 80           | -         | -           | -         | -          | -         | -  |
| P501-3              | Prime   | -            | -         | -           | -         | -          | -         | -            | 66        | 66          | 72        | 72         | 82        | 83 |
|                     | Standby | -            | -         | -           | -         | -          | -         | -            | 66        | 67          | 72        | 73         | 82        | 83 |
| P550-2              | Prime   | -            | 67        | 68          | 73        | 74         | 82        | 83           | -         | -           | -         | -          | -         | -  |
|                     | Standby | -            | 67        | 69          | 73        | 75         | 83        | 84           | -         | -           | -         | -          | -         | -  |
| P550-3              | Prime   | -            | 63        | 64          | 69        | 70         | 79        | 80           | -         | -           | -         | -          | -         | -  |
|                     | Standby | -            | 64        | 65          | 70        | 71         | 79        | 80           | -         | -           | -         | -          | -         | -  |
| P563-3              | Prime   | -            | -         | -           | -         | -          | -         | -            | 65        | 66          | 71        | 72         | 81        | 82 |
|                     | Standby | -            | -         | -           | -         | -          | -         | -            | 65        | 67          | 71        | 73         | 82        | 83 |
| P605-3              | Prime   | 101          | 66        | 66          | 72        | 72         | 82        | 82           | -         | -           | -         | -          | -         | -  |
|                     | Standby | 101          | 66        | 66          | 72        | 72         | 82        | 83           | -         | -           | -         | -          | -         | -  |
| P625-3              | Prime   | -            | -         | -           | -         | -          | -         | -            | 65        | 67          | 71        | 73         | 82        | 83 |
|                     | Standby | -            | -         | -           | -         | -          | -         | -            | 66        | 67          | 72        | 73         | 82        | 83 |
| P660-3              | Prime   | 101          | 66        | 66          | 72        | 72         | 82        | 83           | -         | -           | -         | -          | -         | -  |
|                     | Standby | 101          | 66        | 67          | 72        | 73         | 82        | 83           | -         | -           | -         | -          | -         | -  |
| P688-3              | Prime   | -            | -         | -           | -         | -          | -         | -            | 67        | 68          | 73        | 74         | 84        | 84 |
|                     | Standby | -            | -         | -           | -         | -          | -         | -            | 67        | 68          | 73        | 74         | 84        | 84 |
| P715-3              | Prime   | 101          | 66        | 67          | 72        | 73         | 82        | 83           | -         | -           | -         | -          | -         | -  |
|                     | Standby | 101          | 66        | 67          | 72        | 73         | 82        | 83           | -         | -           | -         | -          | -         | -  |
| P750-3              | Prime   | -            | -         | -           | -         | -          | -         | -            | 67        | 68          | 73        | 74         | 84        | 84 |
|                     | Standby | -            | -         | -           | -         | -          | -         | -            | 67        | 68          | 73        | 74         | 84        | 84 |

### Guernsey

Garenne Park, Rue de la Cache,  
St Sampsons, Guernsey, GY2 4AE  
T. 01481 252111

### Jersey

CTV House, La Pouquelaye,  
St Helier, Jersey, JE2 3TP  
T. 01534 877688

amalgamatedfm.com  
enquiries@amalgamatedfm.com

## Level 1 High Ambient High Ambient Enclosure

|                     |                | Ambient Capability* |     |       |     |
|---------------------|----------------|---------------------|-----|-------|-----|
|                     |                | 50 Hz               |     | 60 Hz |     |
| Generator Set Model | Engine Model   | °C                  | °F  | °C    | °F  |
| P400-3              | 2206A-E13TAG2  | 54                  | 129 | –     | –   |
| P438-3              | 2206A-E13TAG5  | –                   | –   | 57    | 135 |
| P450-3              | 2206A-E13TAG3  | 49                  | 120 | –     | –   |
| P500-3              | 2506A-E15TAG1  | 55                  | 131 | –     | –   |
| P501-3              | 2206A-E13TAG6  | –                   | –   | 51    | 124 |
| P550-3              | 2506A-E15TAG2  | 52                  | 126 | –     | –   |
| P563-3              | 2506A-E15TAG3  | –                   | –   | 55    | 136 |
| P605-3              | 2806A-E18TAG1  | 55                  | 133 | –     | –   |
| P625-3              | 2506A-E15TAG4  | –                   | –   | 54    | 129 |
| P660-3              | 2806A-E18TAG1A | 54                  | 129 | –     | –   |
| P688-3              | 2806A-E18TAG1A | –                   | –   | 55    | 133 |
| P715-3              | 2806A-E18TAG2  | 52                  | 126 | –     | –   |
| P750-3              | 2806A-E18TAG3  | –                   | –   | 53    | 127 |

\*Designed for operation in high ambient environments up to 50°C with no loss of cooling system performance. Power output derate will apply.

## Level 2 Enclosure

|                     |                | Ambient Capability* |     |       |     |
|---------------------|----------------|---------------------|-----|-------|-----|
|                     |                | 50 Hz               |     | 60 Hz |     |
| Generator Set Model | Engine Model   | °C                  | °F  | °C    | °F  |
| P400-3              | 2206A-E13TAG2  | 54                  | 129 | –     | –   |
| P438-3              | 2206A-E13TAG5  | –                   | –   | 57    | 135 |
| P450-2              | 2206D-E13TAG3A |                     |     |       |     |
| P450-3              | 2206A-E13TAG3  | 49                  | 120 | –     | –   |
| P500-3              | 2506A-E15TAG1  | 46                  | 115 | –     | –   |
| P501-3              | 2206A-E13TAG6  | –                   | –   | 51    | 124 |
| P550-2              | 2506D-E15TAG2  |                     |     |       |     |
| P550-3              | 2506A-E15TAG2  | 41                  | 106 | –     | –   |
| P563-3              | 2506A-E15TAG3  | –                   | –   | 48    | 118 |
| P605-3              | 2806A-E18TAG1  | 50                  | 122 | –     | –   |
| P625-3              | 2506A-E15TAG4  | –                   | –   | 44    | 111 |
| P660-3              | 2806A-E18TAG1A | 46                  | 115 | –     | –   |
| P688-3              | 2806A-E18TAG1A | –                   | –   | 48    | 118 |
| P715-3              | 2806A-E18TAG2  | 43                  | 109 | –     | –   |
| P750-3              | 2806A-E18TAG3  | –                   | –   | 42    | 108 |

### Guernsey

Garenne Park, Rue de la Cache,  
St Sampsons, Guernsey, GY2 4AE  
T. 01481 252111

### Jersey

CTV House, La Pouquelaye,  
St Helier, Jersey, JE2 3TP  
T. 01534 877688

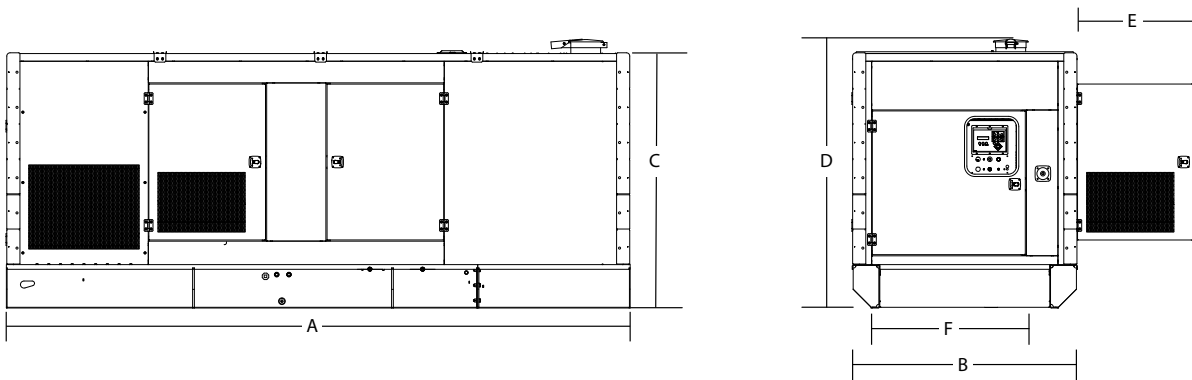
amalgamatedfm.com  
enquiries@amalgamatedfm.com

## Dimensions and Weights – Level 1 High Ambient

| Generator Set Model | A: mm (in)   | B: mm (in)  | C: mm (in)  | D: mm (in)  | E: mm (in)* | F: mm (in)  | Weight: kg (lb) | Fuel Tank Fillable Capacity l (US gal) |
|---------------------|--------------|-------------|-------------|-------------|-------------|-------------|-----------------|--|
| P400-3              | 4930 (194.1) | 1658 (65.3) | 2147 (84.5) | 2317 (91.2) | 995 (39.2)  | 1236 (48.7) | 4575 (10086)    | 887 (234)                              |
| P438-3              | 4930 (194.1) | 1658 (65.3) | 2147 (84.5) | 2317 (91.2) | 995 (39.2)  | 1236 (48.7) | 4575 (10086)    | 887 (234)                              |
| P450-3              | 4930 (194.1) | 1658 (65.3) | 2147 (84.5) | 2317 (91.2) | 995 (39.2)  | 1236 (48.7) | 4667 (10289)    | 887 (234)                              |
| P500-3              | 4930 (194.1) | 1658 (65.3) | 2147 (84.5) | 2317 (91.2) | 995 (39.2)  | 1236 (48.7) | 5033 (11096)    | 887 (234)                              |
| P501-3              | 4930 (194.1) | 1658 (65.3) | 2147 (84.5) | 2317 (91.2) | 995 (39.2)  | 1236 (48.7) | 4625 (10196)    | 887 (234)                              |
| P550-3              | 4930 (194.1) | 1658 (65.3) | 2147 (84.5) | 2317 (91.2) | 995 (39.2)  | 1236 (48.7) | 5071 (11180)    | 887 (234)                              |
| P563-3              | 4930 (194.1) | 1658 (65.3) | 2147 (84.5) | 2317 (91.2) | 995 (39.2)  | 1236 (48.7) | 5033 (11096)    | 887 (234)                              |
| P605-3              | 5320 (209.4) | 1920 (75.6) | 2177 (85.7) | 2289 (90.1) | 995 (39.2)  | 1305 (51.4) | 5554 (12244)    | 1157 (305)                             |
| P625-3              | 4930 (194.1) | 1658 (65.3) | 2147 (84.5) | 2317 (91.2) | 995 (39.2)  | 1236 (48.7) | 5071 (11180)    | 887 (234)                              |
| P660-3              | 5320 (209.4) | 1920 (75.6) | 2177 (85.7) | 2289 (90.1) | 995 (39.2)  | 1305 (51.4) | 5694 (12551)    | 1157 (305)                             |
| P688-3              | 5320 (209.4) | 1920 (75.6) | 2177 (85.7) | 2289 (90.1) | 995 (39.2)  | 1305 (51.4) | 5554 (12244)    | 1157 (305)                             |
| P715-3              | 5320 (209.4) | 1920 (75.6) | 2177 (85.7) | 2289 (90.1) | 995 (39.2)  | 1305 (51.4) | 5874 (12950)    | 1157 (305)                             |
| P750-3              | 5320 (209.4) | 1920 (75.6) | 2177 (85.7) | 2289 (90.1) | 995 (39.2)  | 1305 (51.4) | 5544 (12244)    | 1157 (305)                             |

Weight with lube oil and coolant, no fuel.

\*Clearance required on both sides.



**Guernsey**  
 Garenne Park, Rue de la Cache,  
 St Sampsons, Guernsey, GY2 4AE  
 T. 01481 252111

**Jersey**  
 CTV House, La Pouquelaye,  
 St Helier, Jersey, JE2 3TP  
 T. 01534 877688

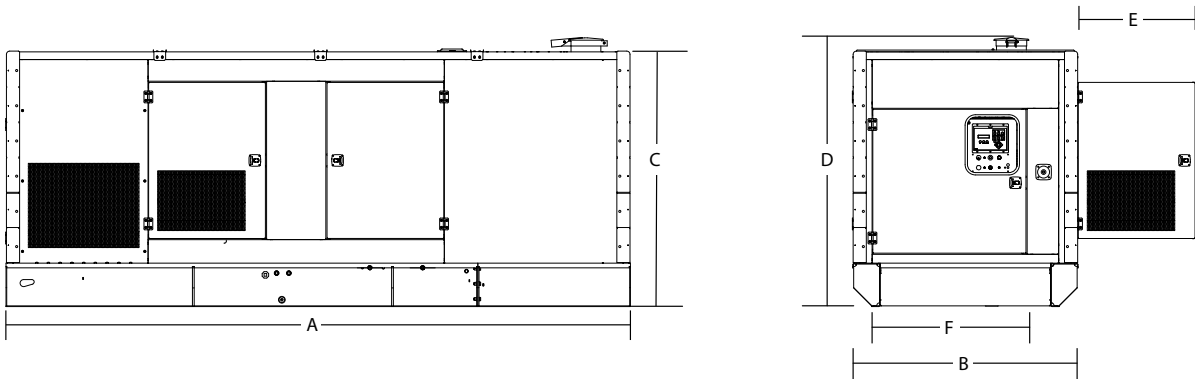
amalgamatedfm.com  
 enquiries@amalgamatedfm.com

## Dimensions and Weights – Level 2

| Generator Set Model | A: mm (in)   | B: mm (in)  | C: mm (in)  | D: mm (in)  | E: mm (in)* | F: mm (in)  | Weight: kg (lb) | Fuel Tank Fillable Capacity l (US gal) |
|---------------------|--------------|-------------|-------------|-------------|-------------|-------------|-----------------|--|
| P400-3              | 4930 (194.1) | 1658 (65.3) | 2147 (84.5) | 2317 (91.2) | 995 (39.2)  | 1236 (48.7) | 4575 (10086)    | 887 (234)                              |
| P438-3              | 4930 (194.1) | 1658 (65.3) | 2147 (84.5) | 2317 (91.2) | 995 (39.2)  | 1236 (48.7) | 4575 (10086)    | 887 (234)                              |
| P450-2              | 4930 (194.1) | 1658 (65.3) | 2147 (84.5) | 2317 (91.2) | 995 (39.2)  | 1236 (48.7) | 4750 (10472)    | 887 (234)                              |
| P450-3              | 4930 (194.1) | 1658 (65.3) | 2147 (84.5) | 2317 (91.2) | 995 (39.2)  | 1236 (48.7) | 4667 (10289)    | 887 (234)                              |
| P500-3              | 4930 (194.1) | 1658 (65.3) | 2147 (84.5) | 2317 (91.2) | 995 (39.2)  | 1236 (48.7) | 5033 (11096)    | 887 (234)                              |
| P501-3              | 4930 (194.1) | 1658 (65.3) | 2147 (84.5) | 2317 (91.2) | 995 (39.2)  | 1236 (48.7) | 4625 (10196)    | 887 (234)                              |
| P550-2              | 4880 (192.1) | 1908 (75.1) | 2187 (86.1) | 2317 (91.2) | 995 (39.2)  | 1236 (48.7) | 5141 (11334)    | 1031 (272)                             |
| P550-3              | 4930 (194.1) | 1658 (65.3) | 2147 (84.5) | 2317 (91.2) | 995 (39.2)  | 1236 (48.7) | 5071 (11180)    | 887 (234)                              |
| P563-3              | 4930 (194.1) | 1658 (65.3) | 2147 (84.5) | 2317 (91.2) | 995 (39.2)  | 1236 (48.7) | 5033 (11096)    | 887 (234)                              |
| P605-3              | 5320 (209.4) | 1920 (75.6) | 2177 (85.7) | 2289 (90.1) | 995 (39.2)  | 1305 (51.4) | 5554 (12244)    | 1157 (305)                             |
| P625-3              | 4930 (194.1) | 1658 (65.3) | 2147 (84.5) | 2317 (91.2) | 995 (39.2)  | 1236 (48.7) | 5071 (11180)    | 887 (234)                              |
| P660-3              | 5320 (209.4) | 1920 (75.6) | 2177 (85.7) | 2289 (90.1) | 995 (39.2)  | 1305 (51.4) | 5694 (12551)    | 1157 (305)                             |
| P688-3              | 5320 (209.4) | 1920 (75.6) | 2177 (85.7) | 2289 (90.1) | 995 (39.2)  | 1305 (51.4) | 5554 (12244)    | 1157 (305)                             |
| P715-3              | 5320 (209.4) | 1920 (75.6) | 2177 (85.7) | 2289 (90.1) | 995 (39.2)  | 1305 (51.4) | 5874 (12950)    | 1157 (305)                             |
| P750-3              | 5320 (209.4) | 1920 (75.6) | 2177 (85.7) | 2289 (90.1) | 995 (39.2)  | 1305 (51.4) | 5554 (12244)    | 1157 (305)                             |

Weight with lube oil and coolant, no fuel.

\*Clearance required on both sides.



### Guernsey

Garenne Park, Rue de la Cache,  
St Sampsons, Guernsey, GY2 4AE  
T. 01481 252111

### Jersey

CTV House, La Pouquelaye,  
St Helier, Jersey, JE2 3TP  
T. 01534 877688

amalgamatedfm.com  
enquiries@amalgamatedfm.com